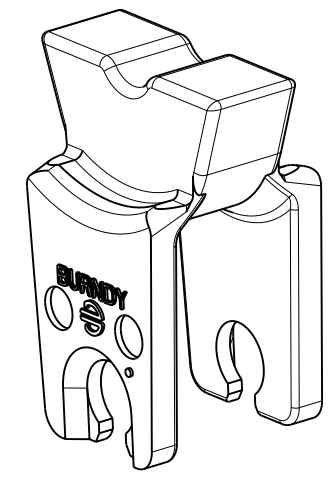
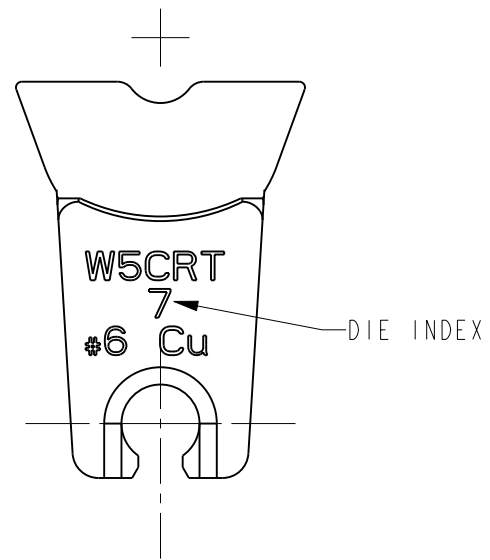
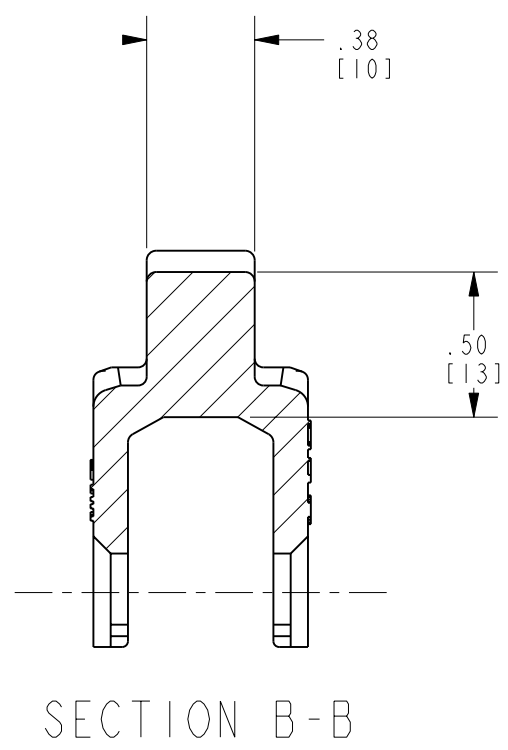
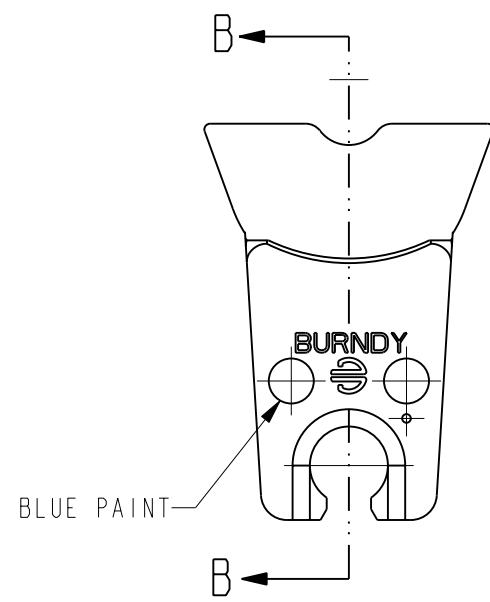
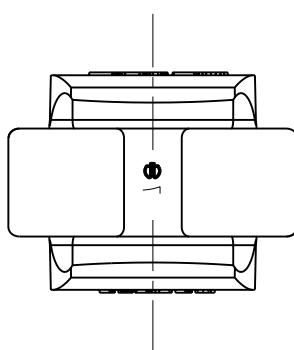


| REV. | DATE | DESCRIPTION | ECO | BY | C'H'K. |
|------|------------------------|-----------------------|-------|----|--------|
| C | 03/16/2015 00:00:00 AM | UPDATED AS PER MARKUP | 37870 | MG | RM |



- NOTES:
- DIMENSIONS IN BRACKETS [] ARE IN MILLIMETERS ROUNDED OFF TO THE NEAREST MILLIMETER, UNLESS OTHERWISE SPECIFIED, AND ARE FOR REFERENCE ONLY.
 - MATERIAL : STAINLESS STEEL.
 - DIE GAGE CAT. NO. WPG7.

TO ORDER BURNDY® PRODUCTS CALL
 UNITED STATES:
 1-800-346-4175 (LONDONDERRY, NH)
 CANADA:
 1-800-361-6975 (QUEBEC)
 1-800-387-6487 (ALL OTHER PROVINCES)
 FOR PRODUCT INFO: <http://www.burndy.com>

| W-DIES (MD6 HYTOOL) | | SCALE: 3:2 | |
|----------------------|------------|---------------|--|
| ITEM NO: 464162 | | DRAWING NO | |
| CAT. NO: W5CRT | | REV | |
| DRAWN BY: THIRU | 08/14/2012 | BURNDY | |
| CHECKER: L BROWN | 08/24/2012 | | |
| DSN APPVL: L BROWN | 08/24/2012 | | |
| MFG APPVL: -- | -- | | |
| QA APPVL: C ACKERMAN | 09/07/2012 | | |
| MKT APPVL: R POIRIER | 08/30/2012 | | |
| PROJECT #: -- | SIZE | 50007850 | |
| DOCUMENT TYPE: Sales | B | SHEET 1 OF 1 | |
| REL LEVEL: Released | | C | |

REV: PE0200